

Unit Type Ball Screw Support Bearings

WTTB SERIES



Improved Unit Type Ball Screw Support Bearings for Easy Installation

Uses TAB Ball Screw Support Bearing series

Easier to install

- Unit type uses high precision and high rigidity TAB ball screw support bearing series and achieved easy installation
- No need for preloading adjustments during the mounting
- Shortening the bearing installation process

Superior resistance to dust intrusion

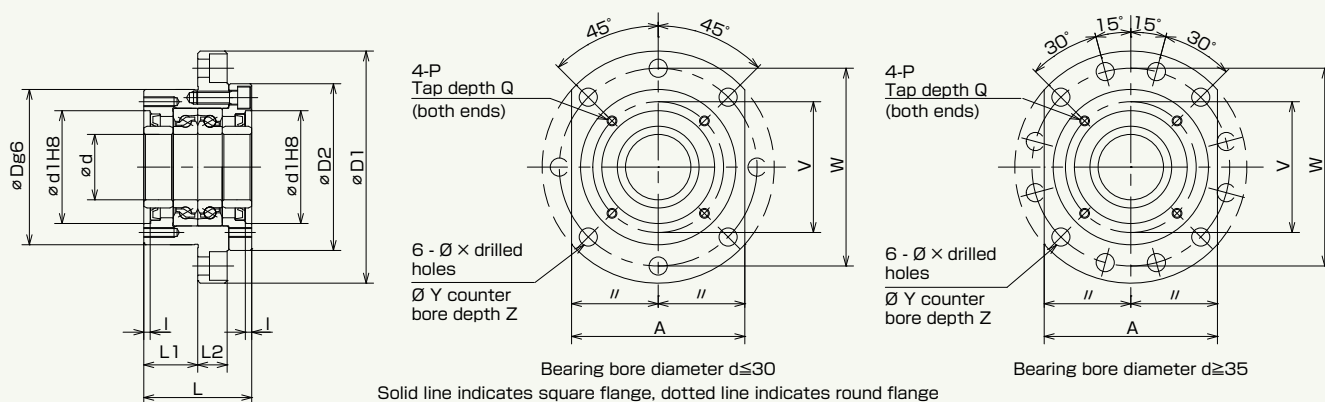
- Pre-installed oil seals is designed to prevent intrusion of dirt
- Configuration includes sealed bearings in low-torque conditions

Customized specifications are supported

- Flanges, grease supply & disposal oil holes, and other customized specifications are supported
- Supports specifications for heavy load capacity TAF ball screw support bearings series (WTF)
- DB, DT, FFB, and other arrangements are supported



Configurations



Bearing bore diameter $d \leq 30$
Solid line indicates square flange, dotted line indicates round flange

Bearing No.	Dimensions(mm)												
	d	D	D1	D2	L	L1	L2	A	W	X	Y	Z	d1
WTB15DF106-A(-B)	15	70	106	72	60	32	15	80	88	9	14	8.5	45
WTB17DF106-A(-B)	17	70	106	72	60	32	15	80	88	9	14	8.5	45
WTB20DF106-A(-B)	20	70	106	72	60	32	15	80	88	9	14	8.5	45
WTB25DF130-A(-B)	25	85	130	90	66	33	18	100	110	11	17.5	11	57
WTB25BFF130-A(-B)	25	85	130	90	81	48	18	100	110	11	17.5	11	57
WTB30DF130-A(-B)	30	85	130	90	66	33	18	100	110	11	17.5	11	57
WTB30BFF130-A(-B)	30	85	130	90	81	48	18	100	110	11	17.5	11	57
WTB35DF142-A(-B)	35	95	142	102	66	33	18	106	121	11	17.5	11	69
WTB35BFF142-A(-B)	35	95	142	102	81	48	18	106	121	11	17.5	11	69
WTB35BBFF142-A(-B)	35	95	142	102	96	48	18	106	121	11	17.5	11	69
WTB40DF142-A(-B)	40	95	142	102	66	33	18	106	121	11	17.5	11	69
WTB40BFF142-A(-B)	40	95	142	102	81	48	18	106	121	11	17.5	11	69
WTB40BBFF142-A(-B)	40	95	142	102	96	48	18	106	121	11	17.5	11	69

- Nominal letter "-A" indicates round flange type, "-B" indicates square flange type.
- Refer to our catalog of precision roller bearings (catalog number 3205-2) regarding bearing arrangements.
- Starting torque indicates only the bearing's starting torque, it does not include the oil seal.

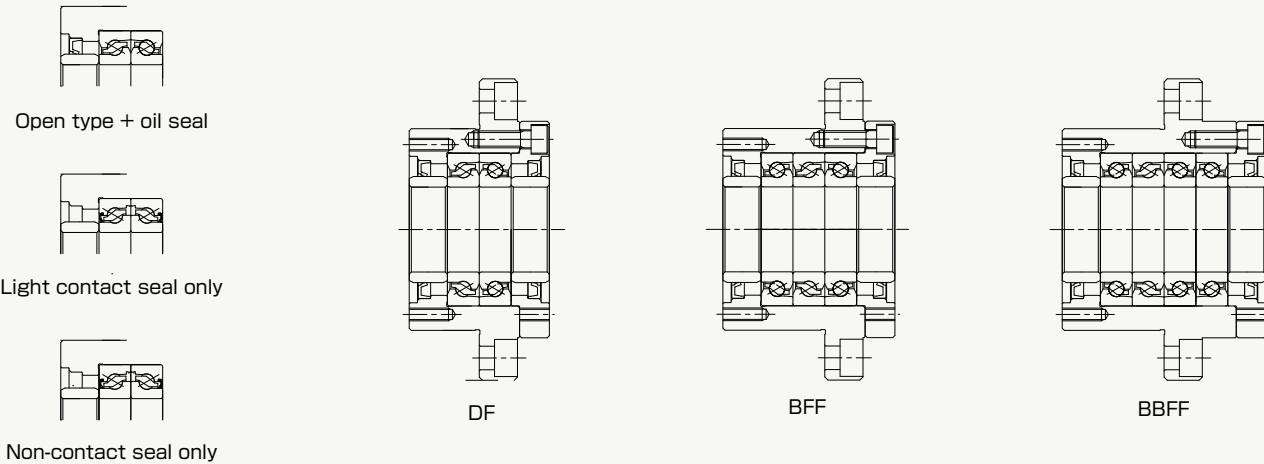
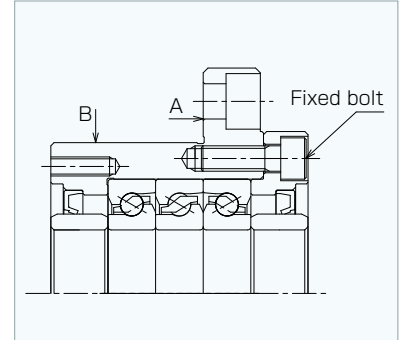
Configuration of Bearing Numbers

WTB 15 DF - 106 -A

- Flange code** -A: Round flange
-B: Square flange
- Outside diameter of flange(mm)** 106
- Seal code**
 - (none): Oil seal + open type bearing
 - 2NSE or 2LR: Both-side contact sealed bearing: (without oil seal)
 - NSE or LR: One-side contact sealed bearing: (without oil seal)
 - 2NKE or 2NK: Both-side non-contact sealed bearing: (without oil seal)
 - NKE or NK: One-side non-contact sealed bearing: (without oil seal)
- Bearing mounting code** 2-row arrangement: DF
3-row arrangement: BFF
4-row arrangement: BFFF, BBFF
- Bearing bore diameter(mm)** 15
- Unit type support code** WTB: TAB series bearings
WTF: TAF series bearings
(high capacity, customized specifications)

Operating precautions

- Use A and B as the reference for installation on machine.
- These products are pre-adjusted. Do not loosen fixed bolts.
- These products are pre-greased.

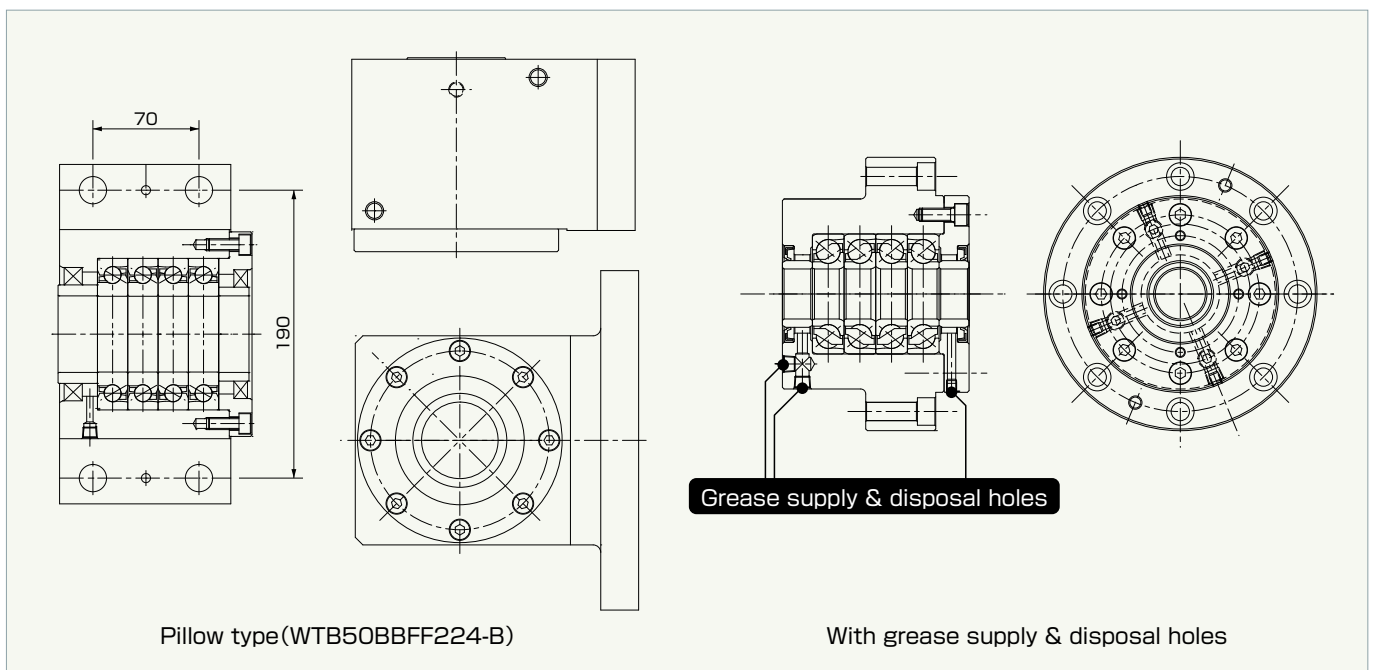


					Number of rows	Basic dynamic load rating Ca(kN)	Limiting Axial load Coa(N)	Preload (N)	Axial rigidity (N/μm)	Starting torque (Ncm)
I	V	P	Q							
3	58	M5	10	2	25.9	32	2160	735	15	
3	58	M5	10	2	25.9	32	2160	735	15	
3	58	M5	10	2	25.9	32	2160	735	15	
4	70	M6	12	2	29.9	46.4	3330	981	20	
4	70	M6	12	3	48.5	92.8	4510	1470	27	
4	70	M6	12	2	29.9	46.4	3330	981	20	
4	70	M6	12	3	48.5	92.8	4510	1470	27	
4	80	M6	12	2	32.5	54.3	3920	1230	25	
4	80	M6	12	3	53	108.6	5300	1770	35	
4	80	M6	12	4	53	108.6	7840	2350	50	
4	80	M6	12	2	32.5	54.3	3920	1230	25	
4	80	M6	12	3	53	108.6	5300	1770	35	
4	80	M6	12	4	53	108.6	7840	2350	50	

Example of customized specifications

Bearing No.	Installation dimensions			Applicable bearings		Remarks
	Outside diameter	Bore diameter	Width	Bearing No.	Bearing arrangements	
WTB25DF108-A	108	25	63	25TAB06W1	DF	Custom dimensions
WTB25DT108-A	108	25	63	25TAB06W1	DT	Custom dimensions
WTB35DF106-A	106	35	66	35TAB07	DF	Custom dimensions
WTB50BBFF224-B	224	50	128	50TAB10	BBFF	With pillow-type housing, grease supply & disposal holes
WTF30BBFF164-A	164	30	112	30TAF07	BBFF	With grease supply & disposal holes
WTF40BBFF200-A	200	50	138	40TAF09	BBFF	With grease supply & disposal holes
WTF50FFBB210-B	210	50	158	50TAF11	FFBB	With grease supply & disposal holes
WTF60BBFF240-B	240	60	190	60TAF13	BBFF	With grease supply & disposal holes
WTF60BFFF290-A	290	60	200	60TAF13	BFFF	With grease supply & disposal holes

● Customized specifications, such as specialized dimensions, grease supply & disposal holes and other features are supported.



NACHI
NACHI-FUJIKOSHI CORP.

www.nachi.com

Toyama Head Office 1-1-1 Fujikoshi-Honmachi, Toyama 930-8511

Tel: +81-(0)76-423-5120 Fax: +81-(0)76-493-5231

Tokyo Head Office Shiodome Sumitomo Bldg. 17F, 1-9-2 Higashi-Shinbashi, Minato-ku, Tokyo 105-0021

Tel: +81-(0)3-5568-5247 Fax: +81-(0)3-5568-5237

NACHI AMERICA INC. HEAD QUARTERS	Indiana, U.S.A.	Tel: +1-317-530-1001	Fax: +1-317-530-1011	http://www.nachiamerica.com/
NACHI CANADA INC.	CANADA	Tel: +1-905-660-0088	Fax: +1-905-660-1146	http://www.nachicanada.com/
NACHI BRASIL LTDA.	BRASIL	Tel: +55-11-4793-8800	Fax: +55-11-4793-8870	http://www.nachi.com.br/
NACHI EUROPE GmbH	GERMANY	Tel: +49-(0)2151-65046-0	Fax: +49-(0)2151-65046-90	http://www.nachi.de/
NACHI SINGAPORE PTE. LTD.	SINGAPORE	Tel: +65-65587393	Fax: +65-65587371	
PT.NACHI INDONESIA	INDONESIA	Tel: +62-021-527-2841	Fax: +62-021-527-3029	http://www.nachi.co.id/
NACHI TECHNOLOGY (THAILAND) CO., LTD.	THAILAND	Tel: +66-2-714-0008	Fax: +66-2-714-0740	http://www.nachi.co.th/
NACHI KG TECHNOLOGY INDIA PVT. LTD.	INDIA	Tel: +91-(0)12-4450-2900	Fax: +91-(0)12-4450-9210	
NACHI (AUSTRALIA) PTY. LTD.	N.S.W, AUSTRALIA	Tel: +61-(0)2-9898-1511	Fax: +61-(0)2-9898-1678	http://www.nachi.com.au/

CATALOG NO. **B3117E**

2015.01.U-MIZUNO